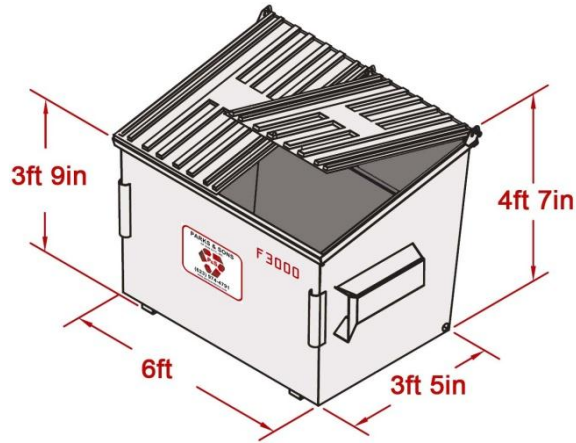
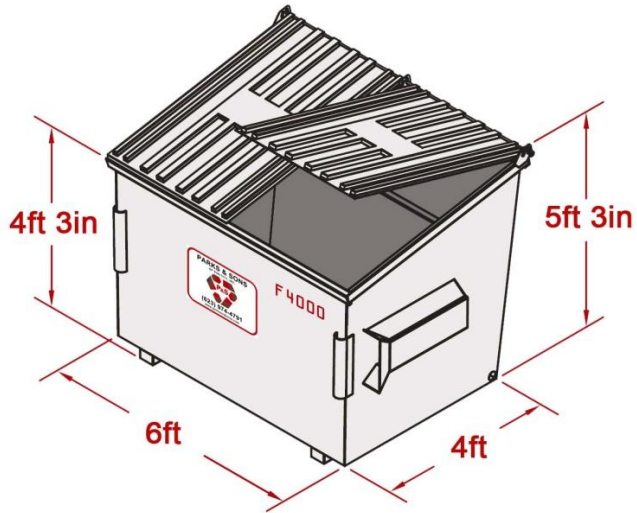


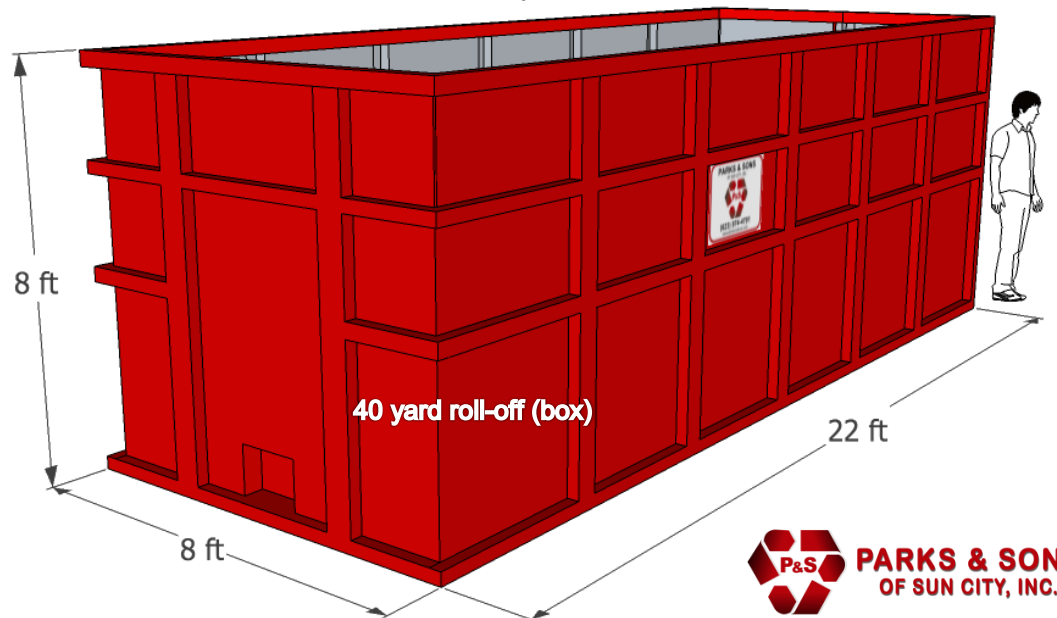
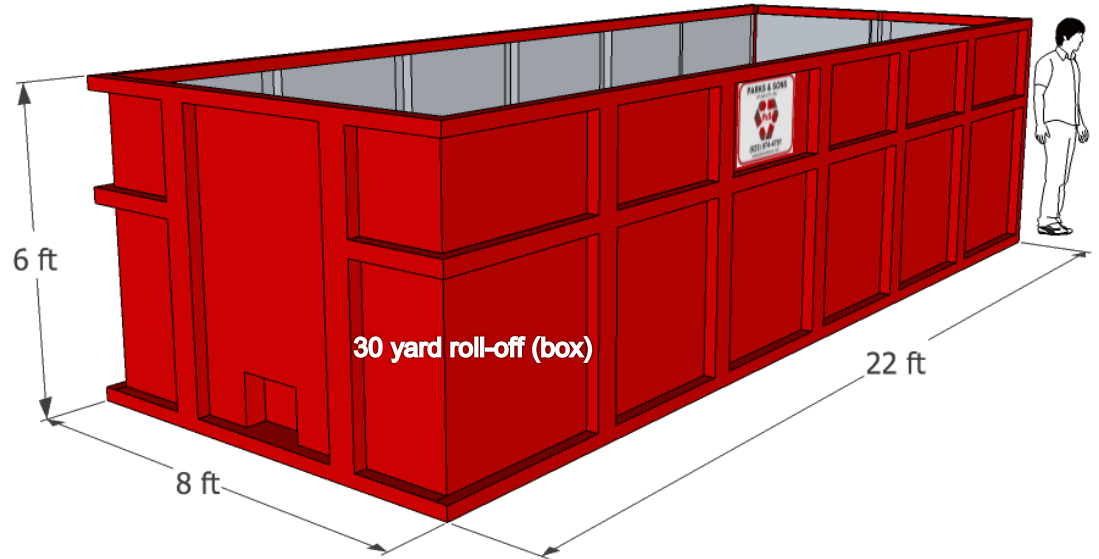
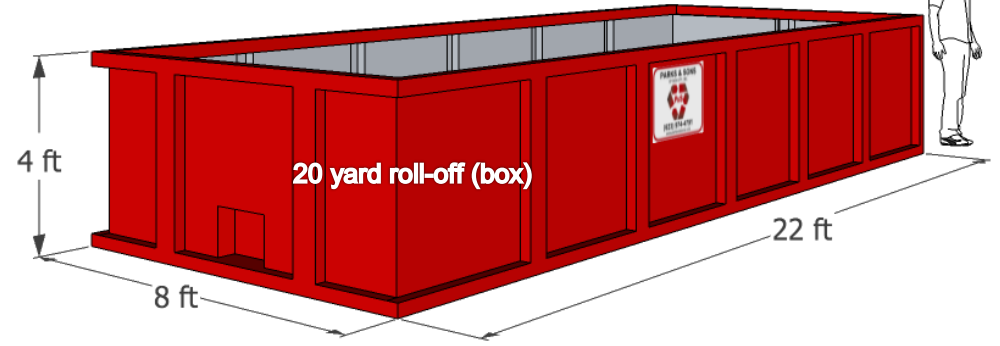
# ON-CALL CONTAINER SIZE COMPARISON



Front-load 3 yard container (slant)



Front-load 4 yard container (slant)



**Front-load container features:** Metal front- or rear-load containers are used to dispose of larger volumes of refuse. *Optional lids, wheels, and lock bars may be available upon request.*

**Roll-off containers features:** Metal containers are used to dispose of high volumes of trash. Rear doors allow for easy loading from ground-level as well as loading from the top of the container.